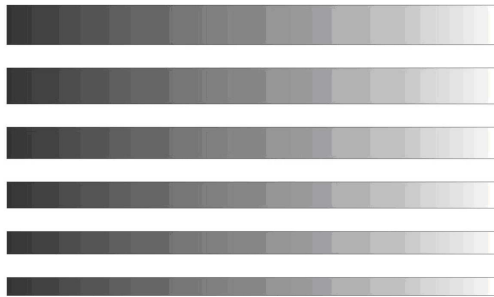




---

# RANGE HOOD OPERATING INSTRUCTIONS



Before using this range hood,  
please read these instructions  
completely.



**READ AND SAVE THIS INSTRUCTIONS  
FOR DOMESTIC COOKING ONLY**

**Installer: Leave this manual with the homeowner.**

**Homeowner: Cleaning, Maintenance and Operating instructions on the coming pages.**

**RANGE HOOD ITEM NO.: K1032/K1032A  
REFERED MODEL NO.: 3503E2**



**MOTOR WITH UL CERTIFICATE**

**CONTENTS**

**YOUR RANGE HOOD'S SPECIFICATIONS .....2**

**IMPORTANT SAFETY INFORMATION..... 3-4**

**USING YOUR RANGE HOOD.....5**

**MAINTAINING AND CLEANING YOUR RANGE HOOD .....6-8**

**INSTALLING/CHANGING THE CARBON FILTER.....9**

**INSTALLATION INSTRUCTIONS .....10-17**

**ELECTRICAL CONNECTION.....10**  
**INSTALLING THE RANGE HOOD.....11-12**

***TROUBLESHOOTING* .....13**

**WARRANTY.....14**

## Specifications of your Range Hood

### ***Congratulations on purchasing a Range Hood!***

To fully enjoy using your appliance long into the future, please firstly familiarise yourself with its specifications, safety advice and operational instructions included in this manual. You will also need this manual to ensure that your Range Hood has been installed properly.

### ***DIMENSIONS***

|                 |            |
|-----------------|------------|
| Width (canopy): | 30" or 36" |
| Depth (canopy): | 20.7"      |
| Height:         | 9.7"       |

### ***Dimensions of Chimney Section:***

With out Chimney

### ***Your stainless steel Cooker Hood is fitted with:***

- High extraction tangential motor
- Electrical button control operation (push button optional)
- 3 speeds
- 2 metallic grease filters
- 2 lights

Extraction capacity 860 CFM

Optional Extra: 1 x Pair of Carbon filter for air recirculation

### **MAIN PARAMATERS**

|                   |                                   |
|-------------------|-----------------------------------|
| Rated Input       | 120V, 60HZ                        |
| Rated Power       | 260W or 226W                      |
| Lighting Power    | 20W x 2 halogen lamp or 3W x2 LED |
| Motor Power       | 220W                              |
| Drive Mode        | Single Motor                      |
| Speed             | Speed I Speed II Speed III        |
| Air Tube Diameter | 6"                                |
| Noise             | ≤67Db(A)                          |

**Important Safety Information: Please Read this before installing & using.**

*Any installation work must be carried out by a qualified electrician or competent person.*

○ *The hood must be installed in accordance with the installation instructions and all measurements followed.*

○ **It is dangerous to alter the specifications or to modify this product in any way. Do not tamper with it or attempt to alter it in the attempt to customise it further.**



○ **When installing the hood, ensure that the following recommended distances are being observed between the range top and the bottom of the range hood:**

- ✓ **Electric cookers:**  
**30"**
- ✓ **Gas cookers:**  
**30"**
- ✓ **Coal/ oil cookers:**  
**31.5"**

**\* NOTE - DO NOT SET YOUR COOKER HOOD LESS THAN 30" ABOVE YOUR COOKER!**

○ **When installed between adjoining wall cabinets, the cabinets must not overhang the hob.**

○ **The edges of the cooker hood are sharp – be mindful of this as you handle your appliance, especially during installation and cleaning. DO NOT CLEAN IN**

**BEHIND THE GREASE FILTERS!**

○ **If the room where the cooker hood is to be used contains a fuel burning appliance such as a central heating boiler then its flue must be of the sealed or balanced flue type.**

○ **If other types of flue or appliances are fitted, ensure that there is an adequate supply of air in the room.**

○ **When the hood is being used in its extractor function, ensure that the ducting is fire retardant and that there are no bends sharper than 90 degrees as this will reduce the efficiency of the hood.**

○ **Ensure the ducting for the extractor function has the same diameter as the outlet hole all the way through.**

○ **Keep young children from using, playing with or tampering with the range hood. Older children and infirm persons should be supervised if they are using the cooker hood.**



○ **Your cooker hood is for domestic use only.**

**Important Safety Information: Please Read t**

- *packing material carefully – children are especially vulnerable to it.*

- *Dirty oil is an even greater fire risk.*

- *Always put lids on pots and pans when cooking on a gas cooker.*



- *The manufacturer refuses to accept any responsibility for damages arising to the hood or it's catching on fire from failure to observe fire safety advice in these instructions.*

- *Remember that when in extraction mode, your cooker hood is removing air from your room. Ensure that proper*

*ventilation measures are being observed. Note that it removes odours from your room, not steam.*

- **Warning - Always ensure that the cooker hood has been disconnected from the power supply before**

- **carrying out any work on the hood, including replacing light bulbs.**

- 
- ☒ **Do not connect the ducting system of this appliance to any existing ventilation system which is being used for any other purpose.**

- ☒ **Do not install above a cooker with a high level grill.**

- ☒ ***Never leave frying pans unattended during use as overheated fats and oils might catch fire.***

- ☒ ***Do not leave naked flames under the cooker hood.***

- ☒ **Do not attempt to use the cooker hood if it is damaged in any way. *Never attempt to use it without the grease filters fitted or if the filters are excessively greasy!***

- ☒ ***Never flambé cook under this range hood.***

## Environmental Note

**Note:** Before discarding an old appliance, switch off and disconnect it from the power supply. Cut off and render any plug useless. Cut the cable off directly behind the appliance to prevent misuse. This should be undertaken by a competent person.

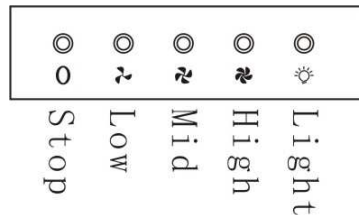
## Using your Range Hood:

# To use your Range hood:

- 1) Make sure it has been properly installed.
- 2) Find the CONTROL PANEL. It is located at the front of the canopy, to the right.
- 3) The CONTROL PANEL contains buttons as shown in the Figure below. These perform separate functions. You will need to understand what these buttons do before you attempt to use your range hood.

**\* Note: The hood should be switched on at least as soon as you start cooking.**

### KEY 1



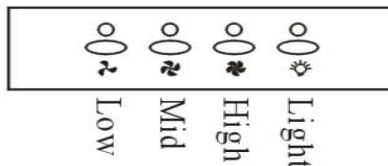
Stop  
Low  
Mid  
High  
Light

### Motor operation:

Stop = **stop motor**, Low = **low speed**, Mid = **mid speed**, High = **high speed**.

'Light' – **Light 'on/off' button**-This button controls the light

### KEY 2



Low  
Mid  
High  
Light

### Motor operation:

Low = **low speed**, Mid = **mid speed**, High = **high speed**.

'Light' – **Light 'on/off' button**-This button controls the light

**PLEASE NOTE THAT YOUR RANGE HOOD CAN BE USED EITHER IN RECIRCULATION MODE OR IN EXTRACTION MODE. TO USE THE HOOD IN RECIRCULATION MODE, YOU WILL NEED TO FIT THE CARBON FILTERS. (SEE PAGE 11)**

## Cleaning your Range Hood:

**IMPORTANT:** *Before cleaning, always ensure that you have switched your range hood OFF at the omni-polar switch, set at the wall from the cable:*

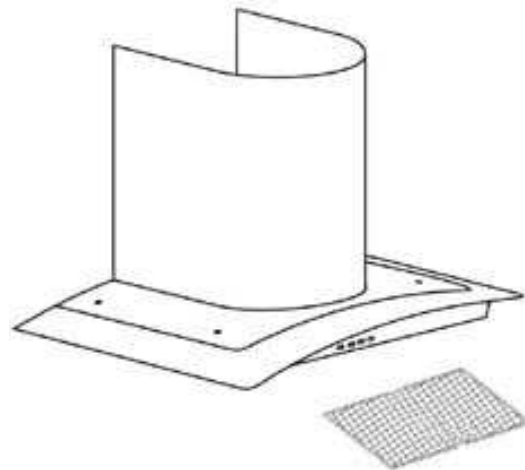
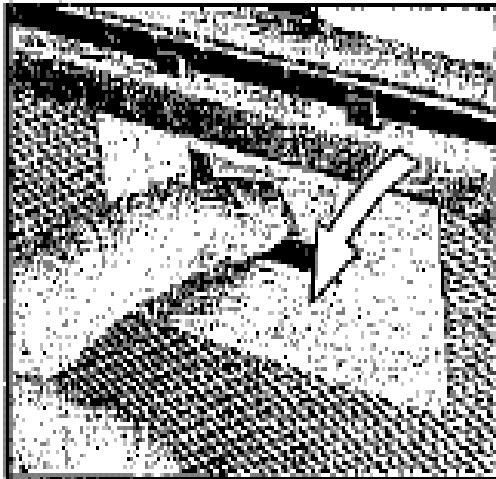
### Cleaning

- ↻ Clean the external parts with mild liquid detergents on a damp cloth.
- ↻ Never use abrasive powder, corrosive solvents or brushes.
- ↻ Never insert pointed objects into the motor's protective grid.
- ↻ Only clean the control panel and filter grill with a damp cloth and delicate detergents.
- ↻ Be sure to replace the carbon filters at the recommended intervals. Build up could cause a fire hazard.
- ↻ Never take out the grease filters and attempt to clean the space above where they are set.

### Anti-Grease Grille

- ↻ Your range hood includes an anti-grease grille which helps absorb vapour-suspended grease particles to protect your kitchen & furniture from greasy residues.
  - ↻ The metal grille may become inflammable if it becomes saturated with greasy residue.
- ✓ To prevent this fire hazard, the grille should be cleaned regularly (depending on use) every 10-15 days and at least once a month in hot water with normal washing-up detergent. **DO NOT USE A DISHWASHER TO ACHIEVE THIS.**

## Maintenance - Cleaning the Anti-grease Filters



**First remove the grille by pulling down on it. Undo the side catches.**

***You can now clean the anti-grease filter grilles.***

- ✓ Soak them for about one hour in hot water with a grease-loosening detergent then rinse off thoroughly with hot water.
  - ✓ Repeat the process if needed. Refit the grease grille once it has dried.
- ✓ Refit the grease grilles when dry.
- ✓ **PLEASE NOTE: DISCOLOURATION OF THE GREASE FILTER CAN TAKE PLACE WHEN CLEANED IN A DISHWASHER, ETC. Do not worry about the slight discolouration of the grille –its performance won't be affected.**

***Let the filter grilles dry thoroughly before refitting them.***

## Maintenance – Changing the Light Bulb and Carbon Filter

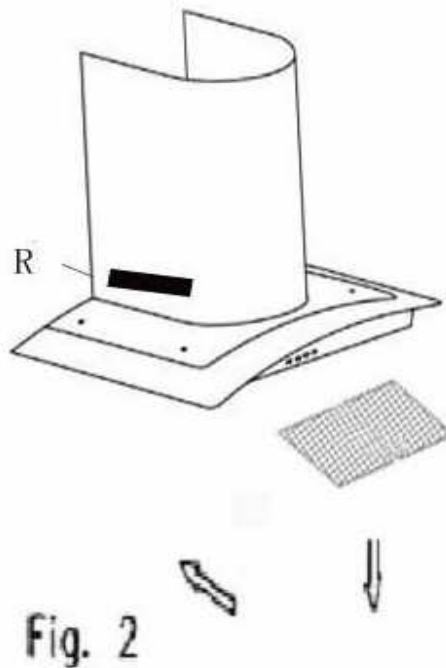
### a) Changing the light bulb

Before changing the light bulb, ensure that the appliance is not live (i.e., ensure that you have switched it off at the wall switch).

Remove the metal anti-grease filters (see Figure 2 below) and find the old bulb located in the light fixture up inside the exposed canopy. Change the halogen bulb using only olive-shaped spares with an E14 coupling, max. 40W.



| E14 40Wmax  | GU5.3 20Wmax  | G4 20Wmax   | E14 50Wmax  | E14 11Wmax  |
|---|---|---|---|---|
|  |  |  |  |  |



**\* PLEASE NOTE - Defective bulbs should be replaced immediately.**

**Replace the metal anti-grease filters.**

## Installing / Changing the Carbon Filter

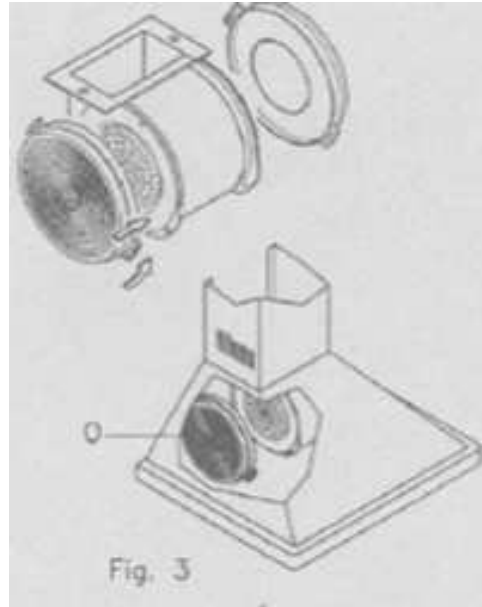
### Installing / Changing the Carbon Filter.

The Cooker Hood uses a pair of **CARBON FILTERS** to purify the air for the air recirculation function.

You will find the round carbon filters are packed in a plastic bag besides the cooker hood. And the filters will attach to both sides of the fan motor (please see figures at bottom of page).

The active carbon filters must be replaced regularly, at least once every three months, to allow normal operation.

Before starting to fit the carbon filter, turn the omni-polar switch off at the wall.



### CHANGING THE CARBON FILTER

- 1) Press the handle of the metal grease filter towards the rear part of the unit until it is released from the front housing, and remove it by pressing downwards (Fig. 2 - above).
- 2) Remove the old carbon filters by twisting them anticlockwise until they unlatch from the sides of the motor.
- 3) Place the new carbon filters (which have two fixing tongues), turning clockwise so that the tongues latch onto the motor's sides. (Fig. 3 - left).
- 4) Reposition the anti-grease metallic filter grilles.

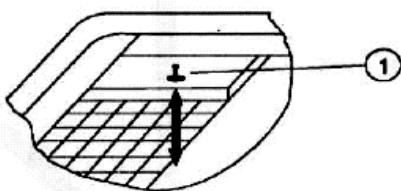
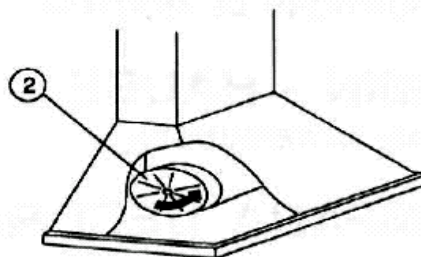


FIG. 2



## INSTALLATION INSTRUCTIONS – Electrical Connection.

Before installation and usage, read all the instructions and make sure that the voltage (V) and the frequency (Hz) indicated on the identification plate (found inside your Range Hood) and all the data inside the appliance are exactly the same as the voltage and frequency in your home.

NOTE: The manufacturer declines all responsibility in the event of failure to observe all the accident-prevention regulations in force which are necessary for normal use and regular operation of the electric system.



### ELECTRICAL CONNECTION

Your cooker hood is intended for fitted and permanent installation.

- The power cable must be connected to the terminals marked L (live) and N (neutral) in the hood and fixed with a cable clamp.
- The cooker hood's power cable must be fitted upstream from the electrical connection using an omni-polar switch with a contact distance of at least 3mm.

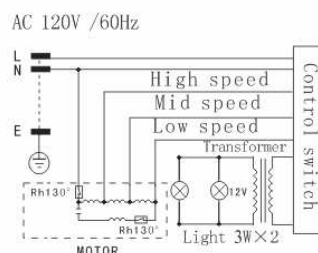
**NOTE: WARNING – THIS APPLIANCE MUST BE EARTHED.** It should only be connected by a competent person using fixed wiring via a **DOUBLE POLE SWITCHED FUSED SPUR OUTLET**. See the bottom picture on right – wire diagram.

We recommend that the appliance is connected by a qualified electrician.

**White= Neutral, Black = Live, Green = Ground**

**If you can only find two wires in the cable (blue and brown), neither must be connected to the Earth terminal!**

- **As the colours of the wires in the appliance's mains lead may not correspond with the coloured markings identifying the terminals in your spur box, please proceed as follows:**
- 1) The WHITE WIRE** must be connected to the terminal marked "N" (Neutral),
  - 2) The BLACK WIRE** must be connected to the terminal marked "L" (LIVE),
  - 3) The Green wire** must be connected to the terminal marked "E" or  $\frac{1}{\perp}$  (Wire diagram-at right)



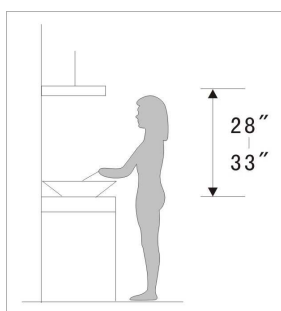
## INSTALLATION INSTRUCTIONS – Installing your Range Hood

### Method One: (PIC-A、PIC-B)

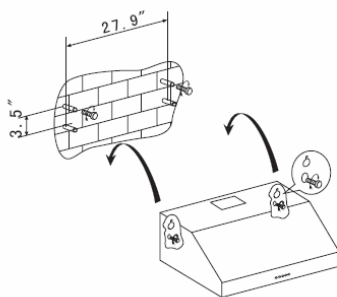
1. The cooker hoods should be placed at a distance of 28" – 33" from the cooking surface for best suction effect. See pic1.
2. To install onto the wall every 19.48" drill 2 holes of  $\varnothing$  0.32" on a suitable place in line with the hook on the hood.
3. Insert expanded screws into the holes. And insert the suitable screws into the expanded screws.
4. Hand the range hood up to the screws.
5. Add the soot tube to the one way valve, and put it outdoor.
6. PIC-A shows the mounting dimension of hood with 30", PIC-B shows the mounting dimension of hood with 36".

### Method Two:(PIC 2、PIC3)

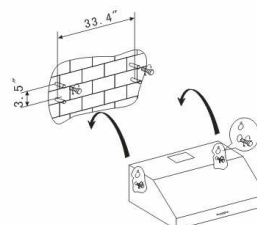
1. Mark or drill a small hole on the mounting position according to the space and dimension mentioned on PIC 2.
2. Add the one way valve to the outlet of the hood, install the hood under cabinet, then use the M4 screw and the circle ring in the spare parts bag to fix the hood on the cabinet.
3. Use the adjution board to install on the bottom of the hood so as to cover the gap of hood and cabinet.
4. Add the soot tube to the one way valve, and put it outdoor.
5. PIC 2 shows the mounting dimension of hood with 30", PIC 3 shows the mounting dimension of hood with 36".



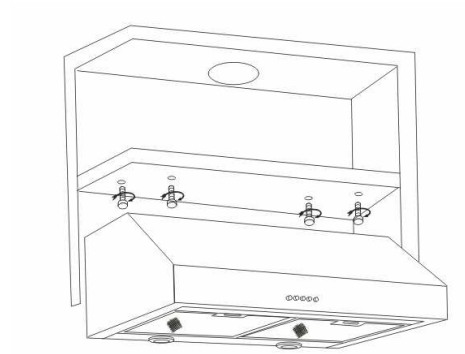
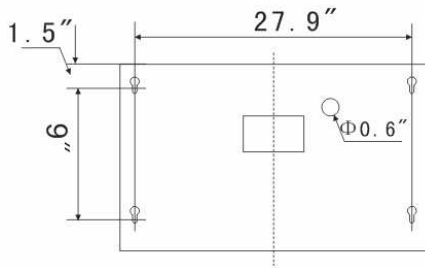
Pic 1



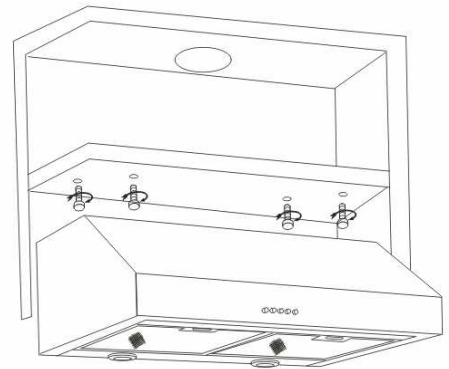
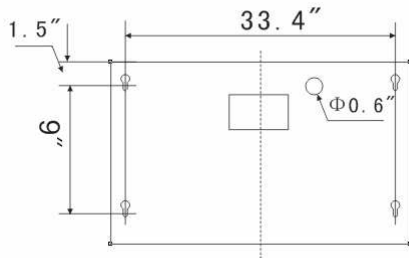
PIC-A



PIC-B



PIC 2



PIC 3

## Troubleshooting

***If something has gone wrong with your Range Hood, checking against this chart might keep you from having to call for service.***

| <b>Symptom</b>  | <b>Solution</b>   |
|---|---|
| <b><i>The range hood will not start!</i></b>                    | <ul style="list-style-type: none"> <li>• Check that the hood is connected to the electricity supply.</li> <br/> <li>• Check that the fan speed control is set properly.</li> </ul>  |
| <b><i>The range hood is not working effectively!</i></b>        | <ul style="list-style-type: none"> <li>• The fan speed is not set high enough.</li> <li>• The grease filter is dirty.</li> <li>• The kitchen is not ventilated well enough.</li> <li>• If the hood is set for recirculation, check that the carbon filters have not expired.</li> <li>• If the hood is set for extraction, check that the ducting and outlets are not blocked.</li> </ul> |
| <b><i>The range hood has switched off during operation!</i></b> | <ul style="list-style-type: none"> <li>• The safety cut-out device has been tripped.</li> <li>• Turn off the hob and then wait for the device to reset.</li> <li>• Note that if you have installed your range hood too low, this will happen. If it happens frequently, it will be damaged.</li> </ul>  |

## **WARRANTY**

---

**We will warrant this product free from defects in material and quality for one year and motor for 5 years. If any problems occur from correct usage, please contact the service department for under warranty service.**

**This warranty does not cover the following:**

**The filter mesh and bulb.**

**Commercial use.**

**Amendment of the date of manufacture on the rating plate.**

**Damaged caused to the body by usage of detergent sprayer.**

**Pollution made to the led parts, glass parts and S/S parts.**

**Incorrect installation, misuse, abuse or neglect.**

**Incorrectly fitted to insufficient or unsuitable power.**

**Taken apart or serviced by unauthorized service engineers or replaced with other manufacture's components.**

**For commercial use the maintenance and free service should be discussed with our authorized agent.**

**Beyond the 12 month limited warranty period, the purchaser should pay for charge of components and call out.**

**In the event of a service call, please provide the warranty card and receipt of date of purchase.**

**K-Star International Group Inc.  
K-Star Electronic Appliance Inc.**

Toll Free:(800) 893-2168

Email:info@kstarus.com

<http://www.kstarus.com>